

NORTHSTAR[★] AXIS 4.8

Specifications

Length 4.8 m. / 15'9"

Beam 2.23 m. / 7'3"

Weight 420 kg. / 925 lbs

Tube Diameter 0.46 m. / 18.1"

Suggested Tube Pressure 0.18 bar / 2.6 psi

No. of Chambers 4

Maximum Persons 8

Minimum Power 50 HP

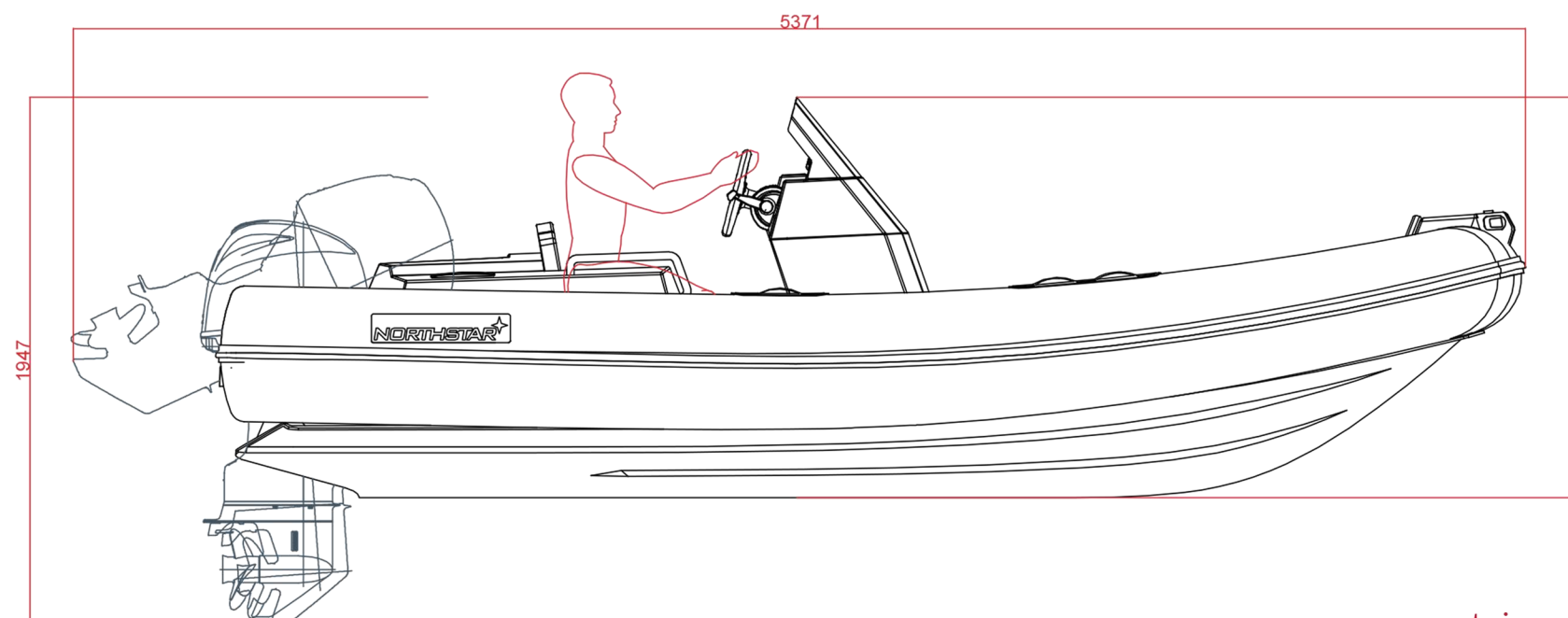
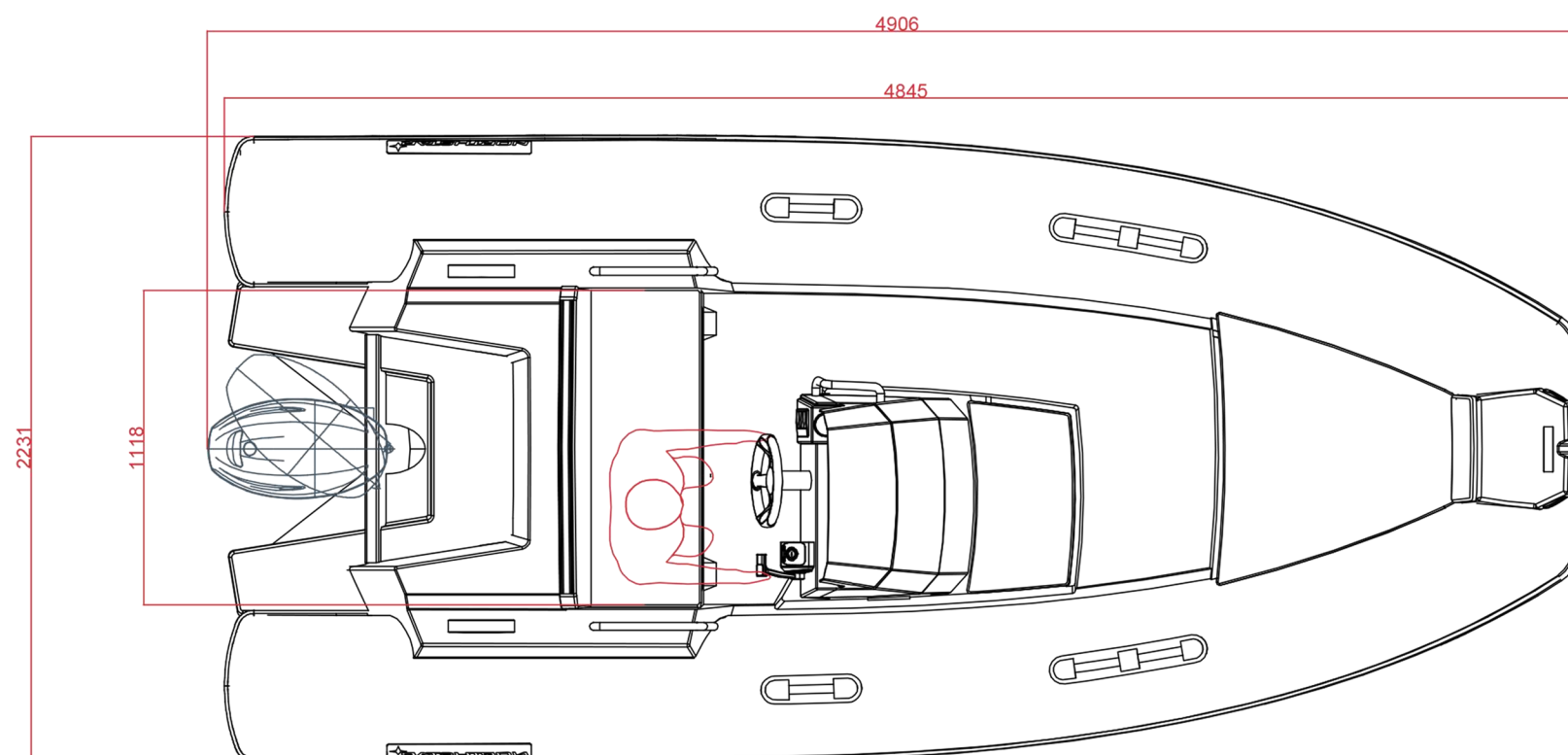
Maximum Power 80 HP

Recommended Power 70 HP

Shaft Length L

Fuel Tank Capacity 51 lt. / 13.5 US Gal

Design Category CE - Cat. C



measurements in mm